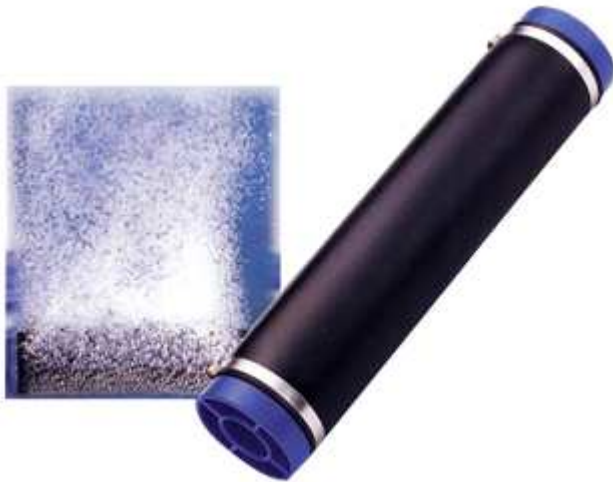
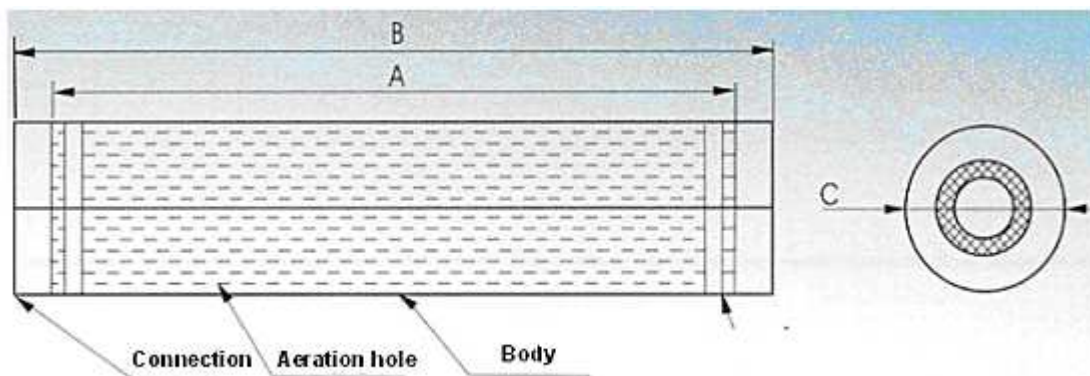


LTF diffuser (fine bubble) (LTF-275, LTF-550)



These are used in activated sludge systems to speed up the breakdown of organic matter - even more when used in conjunction with diffusers - through absorption and oxidation. The natural flow of water enables fixing of waste onto the filter so as to allow the growth of an effective bio-membrane.

Description

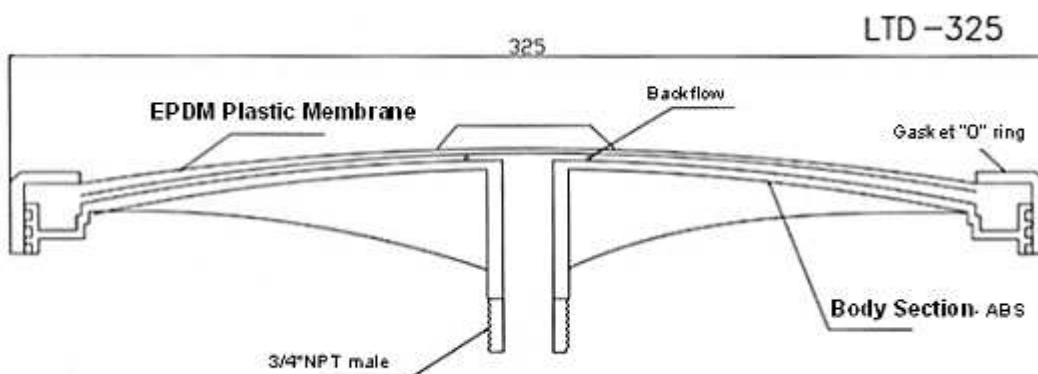


| Model | Material | Standard Ventilation Volume | A | B | C | Connection Size | Weight |
|---------|------------------------------|-----------------------------|-------|-------|------|-------------------------|--------|
| LTF-550 | Body EPDM、 Connection ABS | 50 l/min~ 250 l/min | 548mm | 578mm | 64mm | PT-1" or 3/4" female | 750g |
| LTF-275 | or Compound rein | 30 l/min~ 150 l/min | 274mm | 304mm | 64mm | PT-1" or 3/4" female | 400g |

Specification

1. Tube Diffuser with high oxygen transfer efficiency
2. Tube Diffuser with high EPDM membrane tenacity
3. Tube Diffuser with low pressure loss
4. Tube Diffuser with simple construction, Light weight and easy to install
5. Larger surface with higher treatment function.
6. Wide space between filters, no blockage.
7. High plankton containment.
8. Sturdy, easily installed, low price.

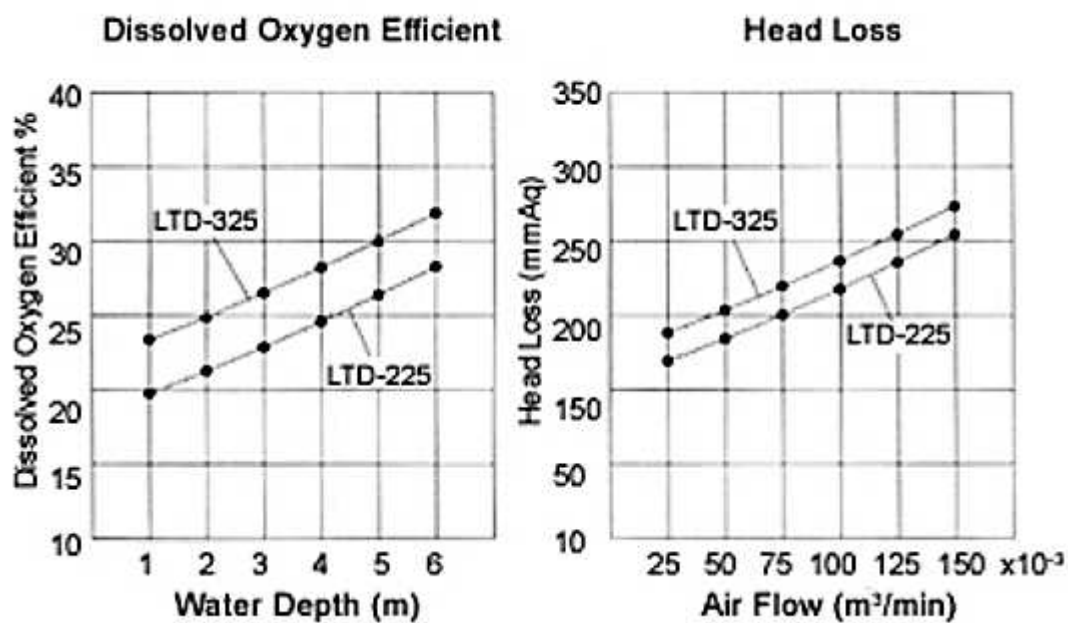
LTD Diffuser (fine bubble) (LTD-225, LTD-325)



Field of Application

1. Biological wastewater treatment

2. Aquatic products
3. Fishery spot
4. Activated sludge systems
5. Sequencing batch reactor
6. Municipal wastewater treatment plants
7. Industrial wastewater treatment plants
8. Oxygenation for sludge digestion
9. Contact aeration system
10. Ozone diffusion in water



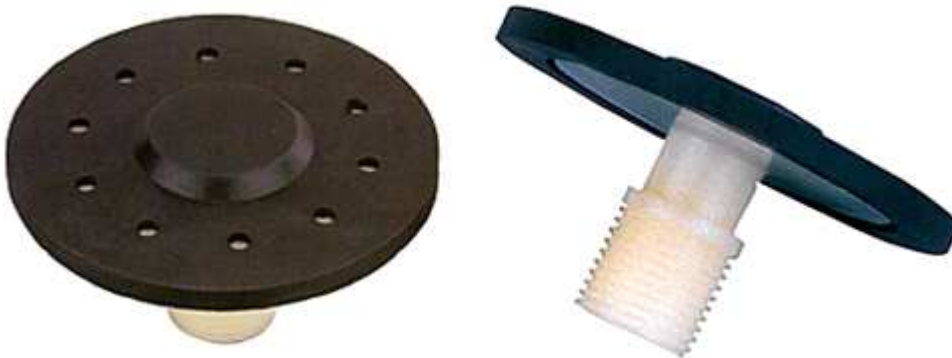
Technical Data

| Type/Diameter | | LTD-225/225 mm | LTD-325/325 mm |
|---------------|-----------------|------------------------|--|
| Material | Holder disc | Reinforced ABS or PP | Reinforced ABS or PP |
| | Gasket "O" ring | ABS or PP | ABS or PP Combined inseparably within membrane |
| | Circular cover | Reinforced ABS or PP | Reinforced ABS or PP |
| | Membrane | High grade EPDM or TPE | High grade EPDM or TPE 2.5m/m thickness |
| Operation | Airflow | 0.02~0.12CMM | 0.02~0.12CMM |

| | | | |
|--|----------------------------|---|---|
| | Connection | R3/4" NPT male | R3/4"NPT male |
| | Dissolved oxygen efficient | 26% 4.7M water depth, 0.05SCMM air flow, 20°C | 29% 4.7M water depth, 0.05SCMM air flow, 20°C |
| | Head loss | 200 mm H2O 20°C, 0.075SCMM air flow | 250 mm H2O 20°C, 0.12SCMM air flow |

LTD-080 diffuser

Brief



[Add to Inquiry Cart](#)

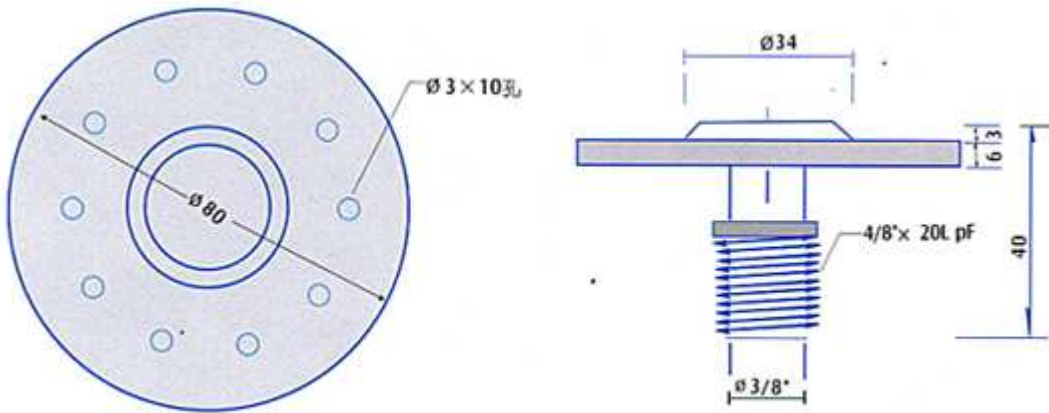
Feature

1. Disk Diffuser is designed for matching with the ready made local 4/8" faucet and it is easy to install.
2. Disk Diffuser with tough and durable construction.
3. Higher oxygen dissolution rate and corrosion resistance.
4. Prevent backflow without clogging.

Specification

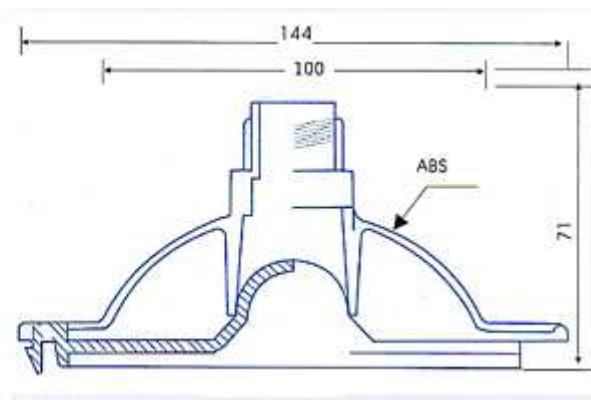
1. 4/8"-thread, 3/8"-Air inlet
2. Diameter: 80mm

3. Height: 40mm
4. Ventilation Volume: 0.08~0.10m³/min



LTD-144 Diffuser

Description



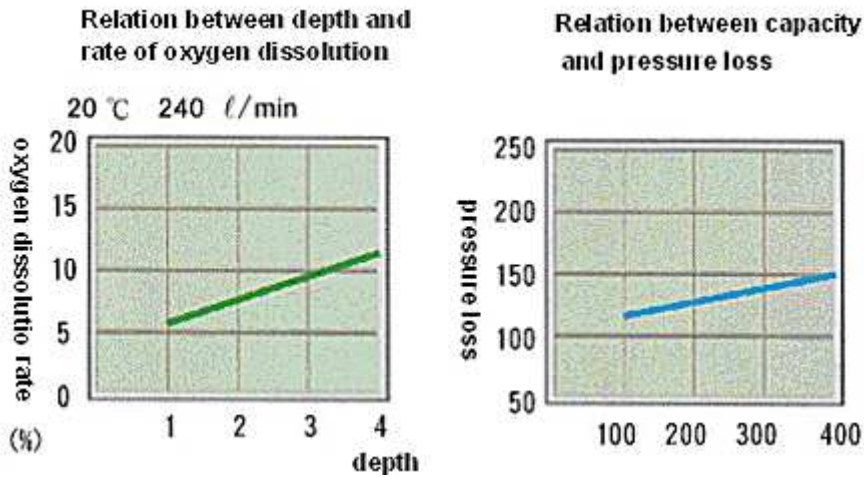
Feature

1. **Pipeline Caliber for Connection:**
PT1B thread.
2. **Hard Enduring Diffuser can decrease Pressure Loss:**
With the flexible feature of the valve body, the suction can be adjusted by the change of the ventilation volume, leading to decrease pressure loss and abnormal changes.
3. **Hard Enduring Diffuser with excellent Corrosion Resistance:**
The body of Hard Enduring Diffuser is made of high-class ABS compound, which exhibits superb

temperature resistance. The valve body is made of high-class synthetic resin, which exhibits the excellent quality of durable, oil and corrosion resistance. The lifespan is about 3 times over the ordinary rubber.

4. Full-close against backflow:

The water pressure and valve is designed in special construction. When the air diffusing action stops, such special construction can stop the backflow of dirty water.



Specification:

| Material | Body Section | ABS resin |
|-----------------------------|--------------|-----------------------------|
| | Film Section | The plastic synthetic resin |
| Standard Ventilation Volume | | 100 l/min~450 l/min |
| Weight | | 130g |
| Installation Method | | Either upward or downward |
| Connection Method | | PT1B thread |

Specification of ABS:

| Test item | Figure | Test Method(JIS) |
|-------------------------|-----------------------------|------------------|
| Tensile Strength | 480kg.cm/cm ² | ASTMD638 |
| Expandability | 20% | ASTMD638 |
| Bending Strength | 710kg.cm/cm ² | ASTMD790 |
| Bending Elasticity Rate | 25,200kg.cm/cm ² | ASTMD790 |

| | | |
|---------------------------------|---------------------------|-----------|
| Impact Strength | 15kg.cm/cm ² | ASTMD256 |
| Heating Deformation Temperature | 82°C 6.4mm 87°C 12.7mm | ASTMD648 |
| Softening Point | 107°C | ASTMD1525 |
| Dissolution flows | 15g/10mm | JISK7210 |
| Specific Gravity | 1.05 | JISK7112 |

Thermoplastic Synthetic Resin Property List:

| Test item | | Figure | Test Method(JIS) |
|--------------------------------------|-----------------------|---------------------------|------------------|
| Hardness | | 70 | K6301 |
| Compression Permanent Bevel Rate | | 47% | K6301 |
| Tensile Strength Test | Tensile Strength | 1.5kg.cm/cm ³ | K6723 |
| | Expandability | 260% | K6723 |
| | 100%M | 0.59kg.cm/cm ³ | K6723 |
| Heating and Aging Test | Tensile Strength Rate | 99% | K6723 |
| | Expandability Rate | 100% | K6723 |
| | 100%M Rate | 98% | K6723 |
| | Evaporation Reduction | 0% | K6723 |
| Oil Resistance- #2 Insulating Oil | Tensile Strength Rate | 99% | K6723 |
| | Expandability Rate | 100% | K6723 |
| Coldness Resistance | | -36 °C | K6723 |
| Heating Deformation Rate | | 7% | K6723 |
| Specific Gravity | | 1.30 | K7112 |